

Features

- ADA compliant lever handles
- Adjustable flanges
- Low-lead (SDWC) compliant
- External NPT connections
- Rough Plate finish for industrial look
- 4" (102 mm) spout with rosespray
- 8-3/8" (212 mm) wall-to-spout outlet



ADA

Codes/Standards

ASME A112.18.1/CSA B125.1
NSF 372

All applicable US Federal and State material regulations

ADA

ICC/ANSI A117.1

See website for detailed warranty information.

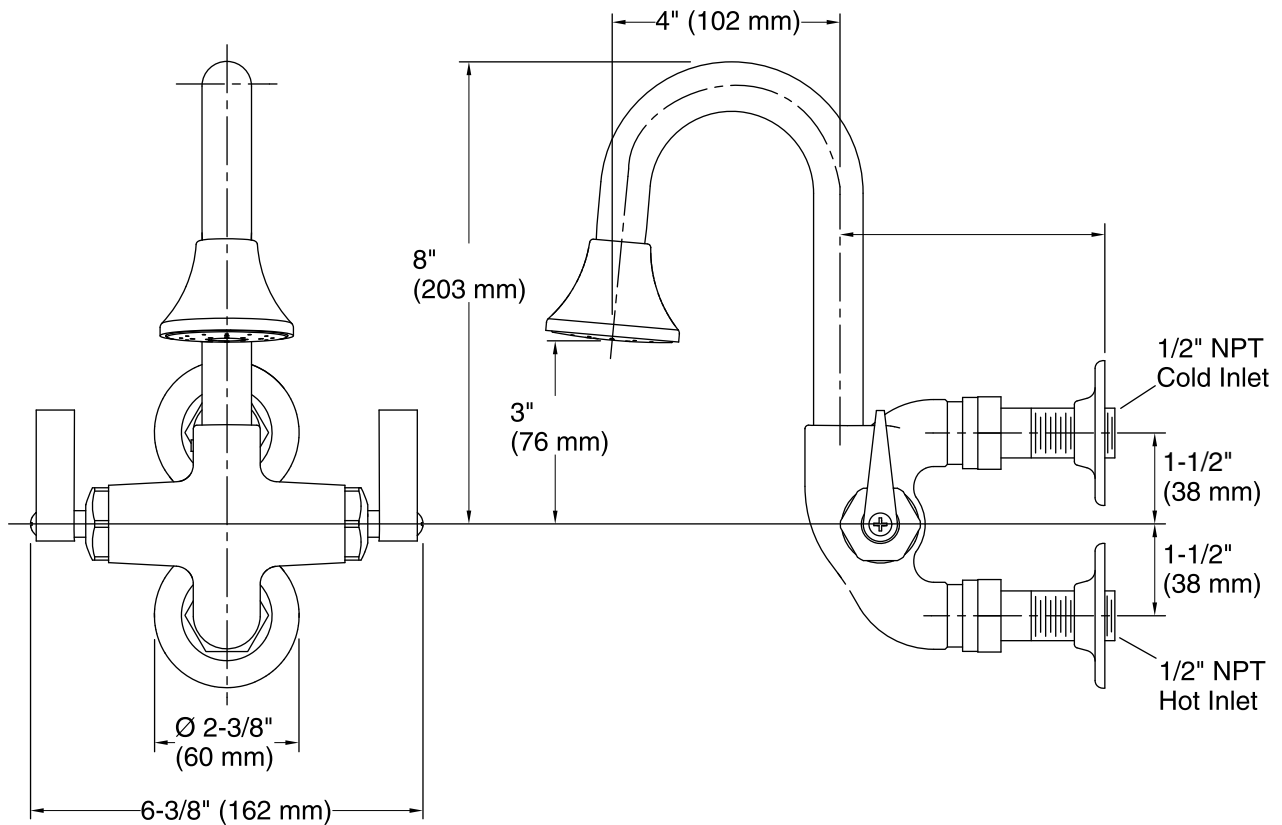
Available Color/Finishes

Color tiles intended for reference only.

Color	Code	Description
-------	------	-------------



RP	Rough Plate
----	-------------



Technical Information

All product dimensions are nominal.

Notes

Install this product according to the installation guide.

ADA compliant when installed to the specific requirements of these regulations.